

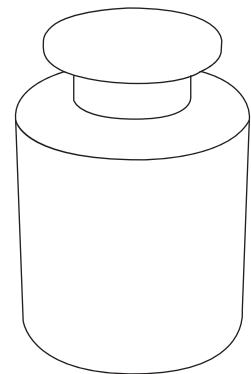
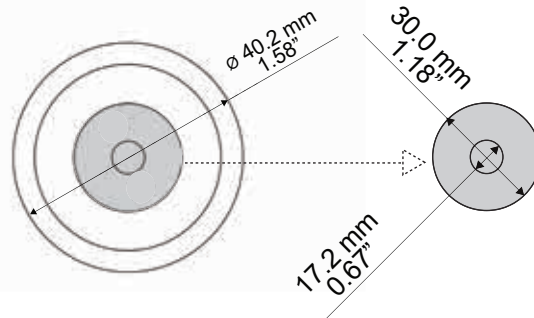
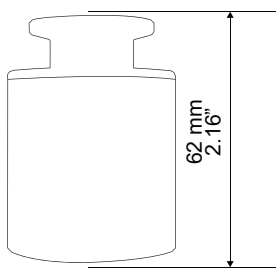


Real Time Wireless Temperature and Vacuum Data Logger with Integrated Sensor

10⁻⁵ to 1300 mbar
-60°C to +85°C



- + Collects and transmits real time vacuum and temperature to XpertLog Software
- + Calibration coefficients are stored in the internal memory
- + Complies with FDA 21 CFR Part 11
- + Network ready: multiple users, centralized, server database, active directory authentication
- + Can be remotely activated



Sensor type	Vacuum: resistive diaphragm + Pirani Temperature: integrated
Operating Range	10 ⁻⁵ to 1300 mbar
- body	0°C to +50°C
- Sensor	-60°C to +85°C
Accuracy	1300 down to 100mbar: 0.5% of reading 99.9 down to 10mbar: 1% of reading 9.99 down to 10 ⁻⁴ mbar: 5% of reading 9.99 x 10 ⁻⁵ down to 10 ⁻⁴ mbar: 25% of reading
Resolution	0.1 µbar; 0.01°C
Memory capacity	16,000 data points vacuum / 16,000 data points temperature
Memory type	non volatile
Sampling rate	1 sec to 24 hours
Transmission	simultaneous: maximum 20 loggers sequential: unlimited
Internal clock drift	4 sec / 24 h @ 23°C
Mechanical	PEEK 1000 - FDA compliant
- material	stainless steel
- enclosure	IP-51
- weight	132 g (4.65 oz)
- diameter	40.2 mm (1.58")
- height	62 mm (2.16")
Power	Requires external USB-C
Antenna	Internal
Wireless range	121 m (400 feet)
Radio frequency	2.4 GHz ISM band
Access point	USB/LAN to computer
Calibrations	Programs and reads unlimited number of loggers Factory Calibrations: traceable NIST/COFRAC in the internal memory
Certification	Health Safety: EN 60950-1 / 2006 EMC: EN 60601-1-2 / 2007 RF: EN 300440-2 v1.3.1 (2009-03)

Order Reference
GMP-RF-TV

Standard Calibration Points

- 1000 mbar
- 500 mbar
- 250 mbar
- 100 mbar
- 15 mbar
- 2 mbar
- 10⁻¹ mbar
- 10⁻² mbar
- 10⁻³ mbar

Lives International[®]
Raising Standards

