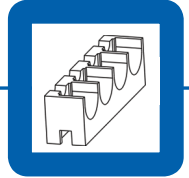


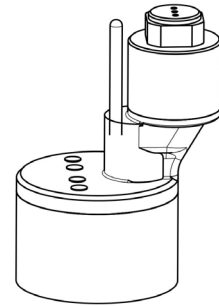
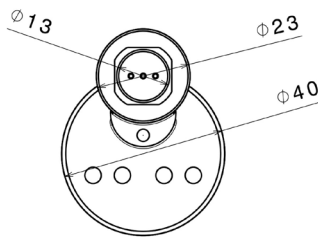
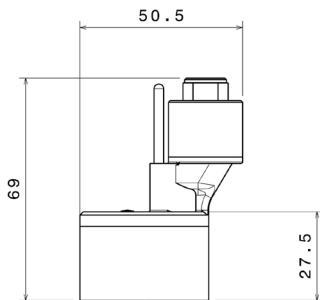
# Standard Data Logger GMP TP



Temperature and Pressure Data Logger with Rigid Sensor  
 0.01 BarA to 5.0 BarA  
 -40°C to +140°C



- + Collects and stores pressure and temperature information in the internal memory
- + Recover the data through the docking station using XpertLog Software
- + ITS-90 calibration coefficients are stored in the internal memory
- + Complies with FDA 21 CFR Part 11
- + Network ready: multiple users, centralized, server database, active directory authentication



Sensor type	Absolute pressure / Temp: 4 wires PT-100
- rigid	20 mm (0.8")
- Sensor size	1.5 x 8 mm (0.06 x 0.315")
- cross section	1.77 mm <sup>2</sup> (0.0027 inch <sup>2</sup> )
Operating Range	
- body	0.01 BarA to 5.0 BarA
- Sensor	-40°C to +140°C
Accuracy	±10 mbar ≤ 3 BarA @ 130°C; ±15 mbar > 3 BarA @ 130°C; ±15 mbar ≤ 3 BarA @ 23°C; ±30 mbar > 3 BarA @ 23°C; ±0.1°C from -40°C to +140°C
Resolution	0.1 mbar; 0.01°C
Memory capacity	16,000 data points pressure / 16,000 data points temperature
Memory type	non volatile
Sampling rate	1 sec to 24 hours
Internal clock drift	4 sec / 24 h @ 23°C
Mechanical	
- material	Peek 1000 - FDA compliant
- enclosure	IP-51
- weight	57 g (2.01 oz)
- diameter	40.0 mm (1.57")
- height	69.0 mm (2.72")
Power	1 x Lithium batteries, 0.35 g/each Lithium content classified UN3091 under IATA DGR section 3.9.2.6 compliant with ICAO/IATA packing instructions 970, user replaceable
Battery lifetime	Up to 12 months, based on usage
Docking station	USB to computer 4, 8, 12 and 20 ports available
Calibrations	Programs and reads unlimited number of loggers Factory Calibrations: traceable NIST/COFRAC - ITS-90 coefficients stored in the internal memory User Calibrations: closed loop calibration using XpertLog® software
Certification	Health Safety: EN 60950-1 / 2006 EMC: EN 60601-1-2 / 2007

Order Reference  
**GMP-TP**

Standard Calibration Points  
 hysteresis at 23°C and 130°C:

- 0.05 BarA
- 0.50 BarA
- 1.00 BarA
- 1.50 BarA
- 2.00 BarA
- 2.50 BarA
- 3.00 BarA
- 3.50 BarA
- 4.00 BarA
- 4.50 BarA
- 5.00 BarA

Lives International®

